

SPACEARM SIT-STAND SOLUTIONS

SpaceArm allows you to quickly and easily move your screen to the most ergonomically appropriate position. The SpaceArm Sit-Stand solutions adjust in height to allow the user to comfortably alternate from sitting to standing throughout the workday.



Standard Sit-Stand
SS01



4" Sit-Stand
SS01X4



8" Sit-Stand
SS01X8



Sit-Stand Double
SS02



Sit-Stand Double 4"
SS02X4



Sit-Stand Double 8"
SS02X8

All arms above are shown with standard VESA mounting plate.



Quick Change monitor mounting plate shown here.

Environmental Design Attributes

SpaceArm:

- Recycled content of aluminum - 100%
- Recyclable aluminum after use - 100%

Cardboard Packaging:

- Recycled content - 20%
- Recyclable after use - 100%

Pulp Tray:

- Recycled content - 100%
- Recyclable after use - 100%

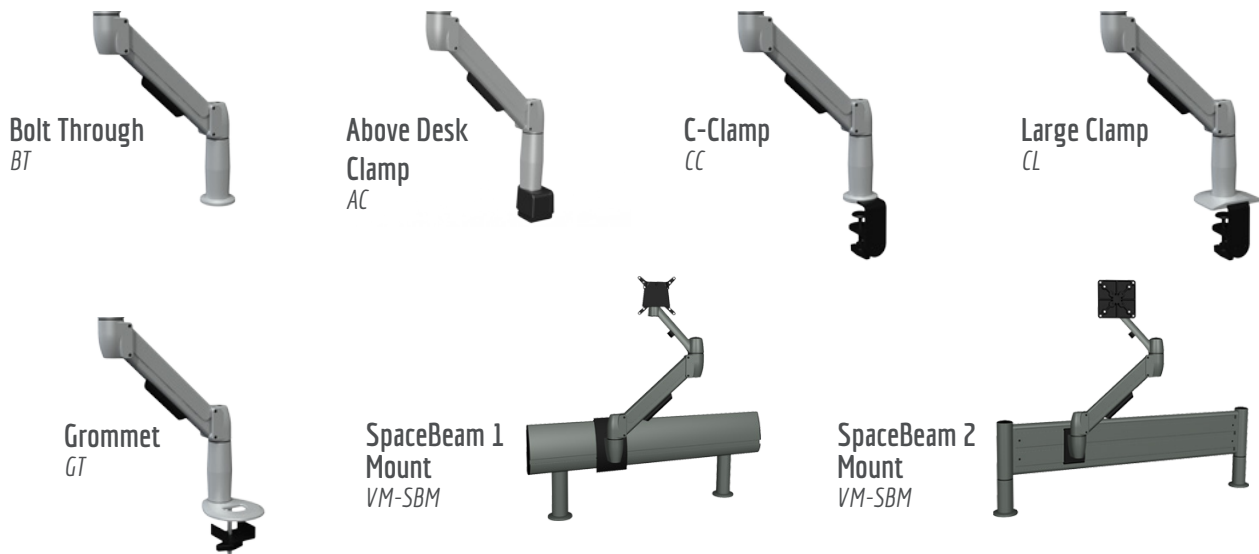
Plastic Packaging:

- Low density polyethylene
- Recycled content - 30%
- Recyclable after use - 100%

Benefits

- Security - Keep your monitors and tablets safe with anti-theft features.
- Positioning - Easy access and alignment for multiple monitor or tablet applications.
- Organization - Easy access and alignment for multiple monitors.
- Ergonomic - A wide range of adjustments puts your monitor in the most comfortable position for your needs.
- Space - Increases work surface efficiencies by positioning the monitor or tablet on an arm making wasted space usable.
- Technology - Flexible and adaptable for inevitable upgrades.
- Environment - Reusable and sustainable product design.

MOUNTING OPTIONS



We also carry a number of vertical mounts from manufacturers such as Steelcase, Allsteel, Haworth, Teknion, Knoll, Herman Miller, DIRT and others. To learn more, please visit our website.

COLOR OPTIONS



Technical Specs

- Thermo-fused polyester finish
- High pressure die-cast aluminum construction
- 5-axis position adjustment
- Conforms to VESA 75mm x 75mm, 100mm x 100mm and 100mm x 200mm mounting patterns
- 40 degrees of tilt (20 degrees+/20 degrees-)
- 360 degree monitor rotation
- 360 degree arm rotation
- 2.5" (63.5mm) depth in the folded position
- 4" (355.6mm) of travel (7" + (177.8mm) above the center of hub and 7" (177.80mm) - below the center of hub)
- Gas spring standard 5-16lbs (2.67kg - 7.25kg)
- Gas spring options, 2-10lbs (.90kg - 4.53kg) and 15-32lbs (6.8kg - 14.51kg)
- Quick Change Mount and Direct Mount for monitor application
- Mounts available: Bolt through, C-Clamp, Large C-Clamp, Grommet, Single Resolve, Double Resolve, Race, Wall, Column, SpaceBeam 1, SpaceBeam 2, Adjustable Slatwalls and a multitude of panel system brackets.