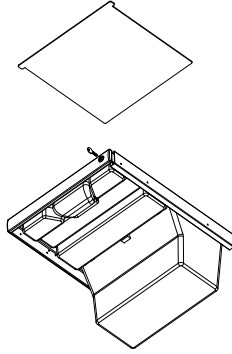


Pelican Drawer Mounting

Rail Guide Template



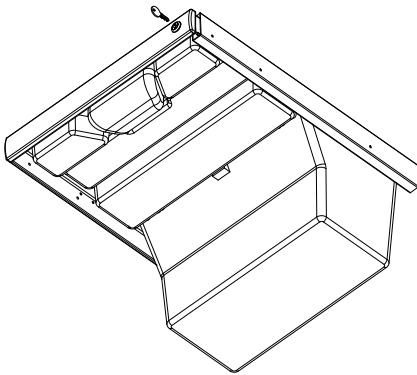
Required Tools:
#2 Phillips Screwdriver

Contents:

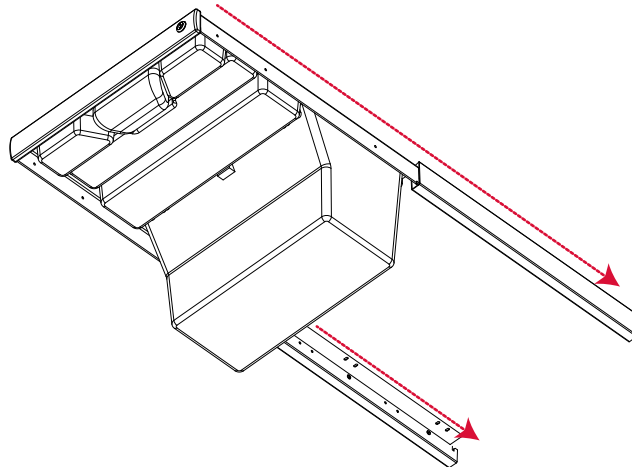
QTY	Part Name
01	Pelican Drawer
01	Rail Guide Mounting Template
06	Screws
01	Key

Side 01: Flip over to complete installation

1. Use the key to turn the lock to the unlocked position which makes the keyhole horizontal

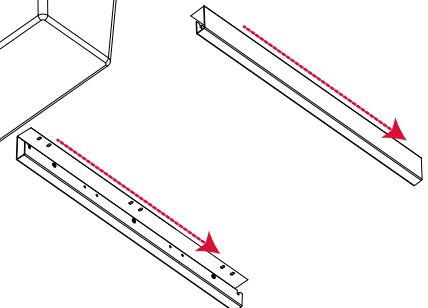
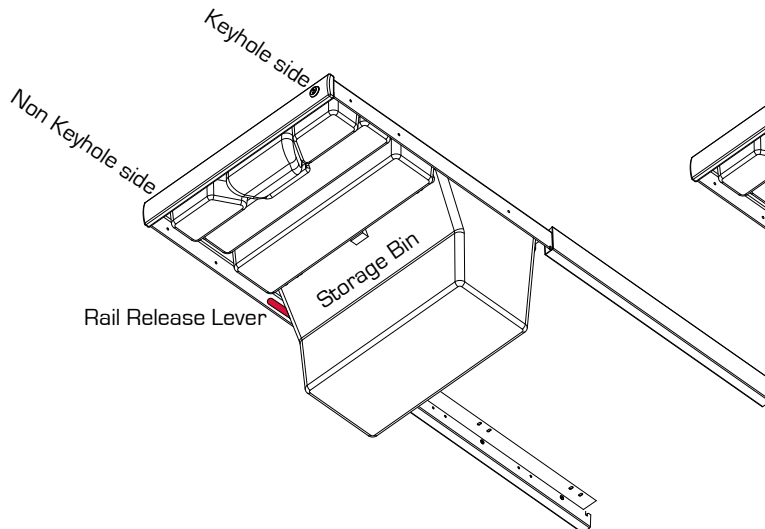


2. Fully extend both rails.



3. Locate the Rail Release Levers. Slide your hand along the inside of the rail along the drawer. Each rail has a release lever on the inside of the rail just in front of the storage bin. On the keyhole side, pull lever DOWN to release rail. On the non keyhole side, push lever UP to release rail.

4. Remove both Rails and set Pelican Drawer aside



SpaceCo Business Solutions, Inc. 800.840.8499 www.spaceco.com

DISCLAIMER OF DAMAGES FOR IMPROPER USE. SpaceCo shall not be responsible for damage to its products, or injuries or damages caused by its products, resulting from improper installation, maintenance, unintended use or attempts to operate such products beyond their mechanical capacity, intentionally or otherwise, or by reason of unauthorized repair. May be covered by issued or pending patents, please see www.spaceco.com/patents for details.