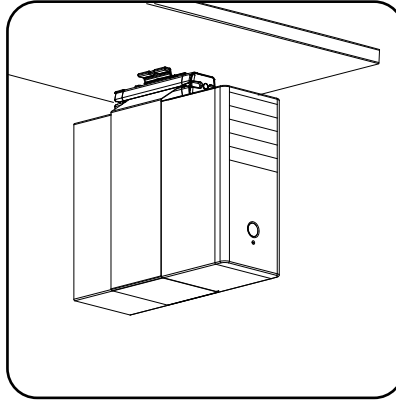


ELVTR01

Elevator CPU Holder



Required Tools:

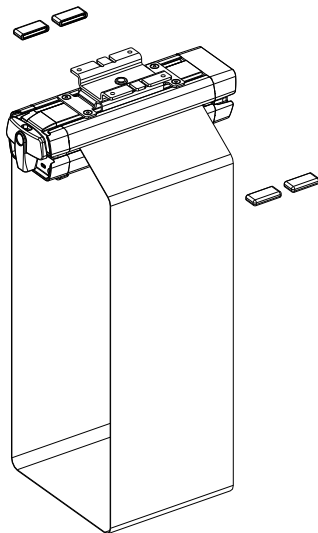
Phillips Screw Driver

Contents:

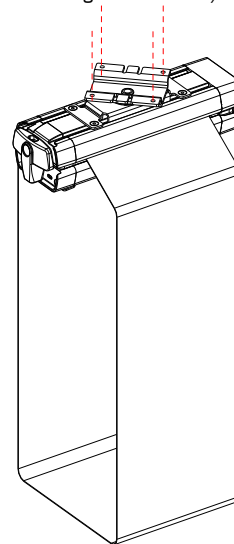
QTY	Name
1	CPU Holder
8	#8 X 3/4 screw

To secure CPU Holder to surface:

Remove Plastic covers.

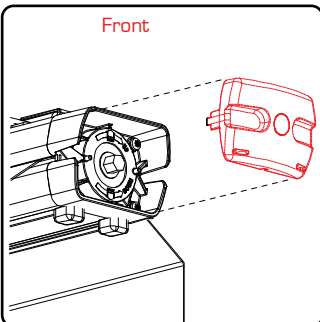


Rotate mounting plate and secure to surface using four #8 x 3/4 screws



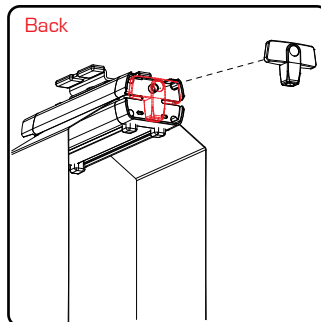
To secure CPU in the sling:

Remove CPU holder front cap.

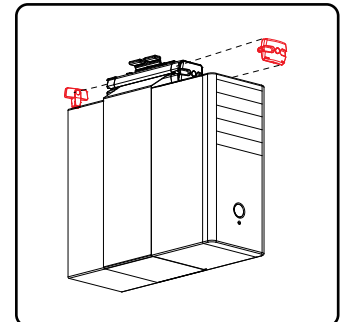
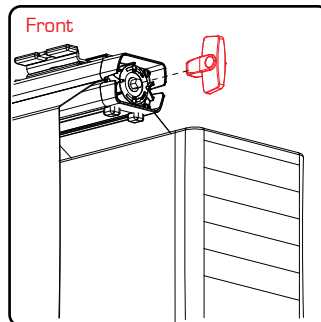


Center CPU in Sling, turning the adjustment key clockwise. Adjustment key is located on the backside of the CPU holder.

*Remove additional slack once the CPU is continuing to tighten the sling



Once CPU is secure, replace CPU cap and adjustment key.



SpaceCo Business Solutions, Inc. 800.840.8499 www.spaceco.com

DISCLAIMER OF DAMAGES FOR IMPROPER USE. SpaceCo shall not be responsible for damage to its products, or injuries or damages caused by its products, resulting from improper installation, maintenance, unintended use or attempts to operate such products beyond their mechanical capacity, intentionally or otherwise, or by reason of unauthorized repair. May be covered by issued or pending patents, please see www.spaceco.com/patents for details.